

## Electrical Standard Products (ESP) Branch Offices:

### REGISTERED OFFICE AND HEAD OFFICE

L&T House, Ballard Estate  
P. O. Box 278  
**Mumbai 400 001**  
Tel: 022-67525656  
Fax: 022-67525858  
Website: www.Larsentoubro.com

### ELECTRICAL STANDARD PRODUCTS (ESP)

501, Sakar Complex I  
Opp. Gandhigram Rly. Station  
Ashram Road  
**Ahmedabad 380 009**  
Tel: 079-66304006-11  
Fax: 079-66304025  
e-mail: esp-ahm@LNTEBG.com

38, Cubbon Road, P. O. Box 5098  
**Bangalore 560 001**  
Tel: 080-25020100 / 25020324  
Fax: 080-25580525  
e-mail: esp-blr@LNTEBG.com

131/1, Zone II  
Maharana Pratap Nagar  
**Bhopal 462 011**  
Tel: 0755-3080511 / 05 / 08 / 13 / 17 / 19  
Fax: 0755-3080502  
e-mail: esp-bho@LNTEBG.com

Plot No. 559, Annapurna Complex  
Levis Road  
**Bhubaneswar 751 014**  
Tel: 0674-6451342, 2436690, 2436696  
Fax: 0674-2537309  
e-mail: nayakd@LNTEBG.com

Aspire Towers, 4th Floor  
Plot No. 55, Phase-I  
Industrial & Business Park  
**Chandigarh-160 002**  
Tel: 0172-4646840 / 41 / 42 / 46 / 53  
Fax: 0172-4646802  
Email: esp-chd@Lntebg.com

L&T Construction Campus  
TC-1 Building, II Floor  
Mount-Poonamallee Road  
Manapakkam  
**Chennai 600 089**  
Tel: 044-2270 6800  
Fax: 044-22706940  
e-mail: esp-maa1@LNTEBG.com

67, Appuswamy Road  
Post Bag 7156  
Opp. Nirmala College  
**Coimbatore 641 045**  
Tel: 0422-2588120 / 1 / 5  
Fax: 0422-2588148  
e-mail: esp-cbe@LNTEBG.com

Khairasol, Degaul Avenue  
**Durgapur 713 212**  
Tel: 2559848, 2559849, 2559844  
Fax: 0343-2553614  
e-mail: esp-dgp@LNTEBG.com

5, Milanpur Road, Bamuni Maidan  
**Guwahati 781 021**  
Tel: +91 8876554410 / 8876554417  
Fax: 361-2551308  
e-mail: hazrasudipto@LNTEBG.com

II Floor, Vasantha Chambers  
5-10-173, Fateh Maidan Road  
**Hyderabad 500 004**  
Tel: 040-67015052  
Fax: 040-23296468  
e-mail: esp-hyd@LNTEBG.com

Monarch Building, 1st Floor  
D-236 & 237, Amrapali Marg  
Vaishali Nagar  
**Jaipur 302 021**  
Tel: 0141-4385914 to 18  
Fax: 0141-4385925  
e-mail: esp-jai@LNTEBG.com

Akashdeep Plaza, 2nd Floor  
P. O. Golmuri  
**Jamshedpur 831 003**  
Jharkhand  
Tel: 0657-2312205 / 38  
Fax: 0657-2341250  
e-mail: esp-jam@LNTEBG.com

Skybright Bldg; M. G. Road  
Ravipuram Junction, Ernakulam  
**Kochi 682 016**  
Tel: 0484-4409420 / 4 / 5 / 7  
Fax: 0484-4409426  
e-mail: esp-cok@LNTEBG.com

3-B, Shakespeare Sarani  
**Kolkata 700 071**  
Tel: 033-44002572 / 3 / 4  
Fax: 033-22821025 / 7587  
e-mail: esp-ccu@LNTEBG.com

A28, Indira Nagar, Faizabad Road  
**Lucknow 226 016**  
Tel: 0522-4929905 / 04  
Fax: 0522-2311671  
e-mail: esp-lko@LNTEBG.com

No: 73, Karpaga Nagar, 8th Street  
K. Pudur  
**Madurai 625 007**  
Tel: 0452-2537404, 2521068  
Fax: 0452-2537552  
e-mail: esp-mdu@LNTEBG.com

L&T Business Park,  
Tower 'B' / 5th Floor  
Saki Vihar Road, Powai  
**Mumbai 400 072**  
Tel: 022-67052874 / 2737 / 1156  
Fax: 022-67051112  
e-mail: esp-bom@LNTEBG.com

12, Shivaji Nagar  
North Ambajihari Road  
**Nagpur 440 010**  
Tel: 0712-2260012 / 6606421  
Fax: 2260030 / 6606434  
e-mail: esp-nag@LNTEBG.com

32, Shivaji Marg  
P. O. Box 6223  
**New Delhi 110 015**  
Tel: 011-41419514 / 5 / 6  
Fax: 011-41419600  
e-mail: esp-del@LNTEBG.com

L&T House  
P. O. Box 119  
191/1, Dhole Patil Road  
**Pune 411 001**  
Tel: 020-66033395 / 66033279  
Fax: 020-26164048 / 26164910  
e-mail: esp-pnq@LNTEBG.com

Crystal Tower,  
4th Floor, G. E. Road  
Telibandha  
**Raipur - 492 006**  
Tel: 0771-4283214  
e-mail: esp-raipur@LNTEBG.com

3rd Floor  
Vishwakarma Chambers  
Majura Gate, Ring Road  
**Surat 395 002**  
Tel: 0261-2473726  
Fax: 0261-2477078  
e-mail: esp-sur@LNTEBG.com

Radhadaya Complex  
Old Padra Road  
Near Charotar Society  
**Vadodara 390 007**  
Tel: 0265-6613610 / 1 / 2  
Fax: 0265-2336184  
e-mail: esp-bar@LNTEBG.com

Door No. 49-38-14/3/2, 1st floor,  
NGGO's Colony, Akkayyapalem,  
**Visakhapatnam - 530 016**  
Tel: 0891 2791126, 2711125  
Fax: 0891 2791100  
Email: esp-viz@LNTEBG.com

Product improvement is a continuous process. For the latest information and special applications, please contact any of our offices listed here.



Larsen & Toubro Limited, Electrical Standard Products  
Powai Campus, Mumbai 400 072

### Customer Interaction Center (CIC)

BSNL / MTNL (toll free): 1800 233 5858 Reliance (toll free): 1800 200 5858  
Tel: 022 6774 5858 Fax: 022 6774 5859 Email: cic@Lntebg.com  
Web: www.Lntebg.com

Regd. Office: L&T House, N. M. Marg, Ballard Estate, Mumbai - 400 001. INDIA Tel: +91 22 6752 5656 CIN: L99999MH1946PLC004768



➤ High on **control**  
big on reliability



## Lx2000 AC Drive for Elevator

Three Phase 230V (2.2 ~ 37kW)  
Three Phase 415V (2.2 ~ 45kW)



SP-50701  
CBM/CPRD/112014

## Two decades of application knowledge

For over two decades, various industry sectors have been reaping the benefits of L&T's cost-effective, performance-oriented AC Drive solutions. L&T's grasp of the specific needs of each industry enables it to offer application-specific solutions for various industries – such as processing, textile, plastic, ceramic, pharmaceutical, elevator, oil & gas, power, cement and material-handling.

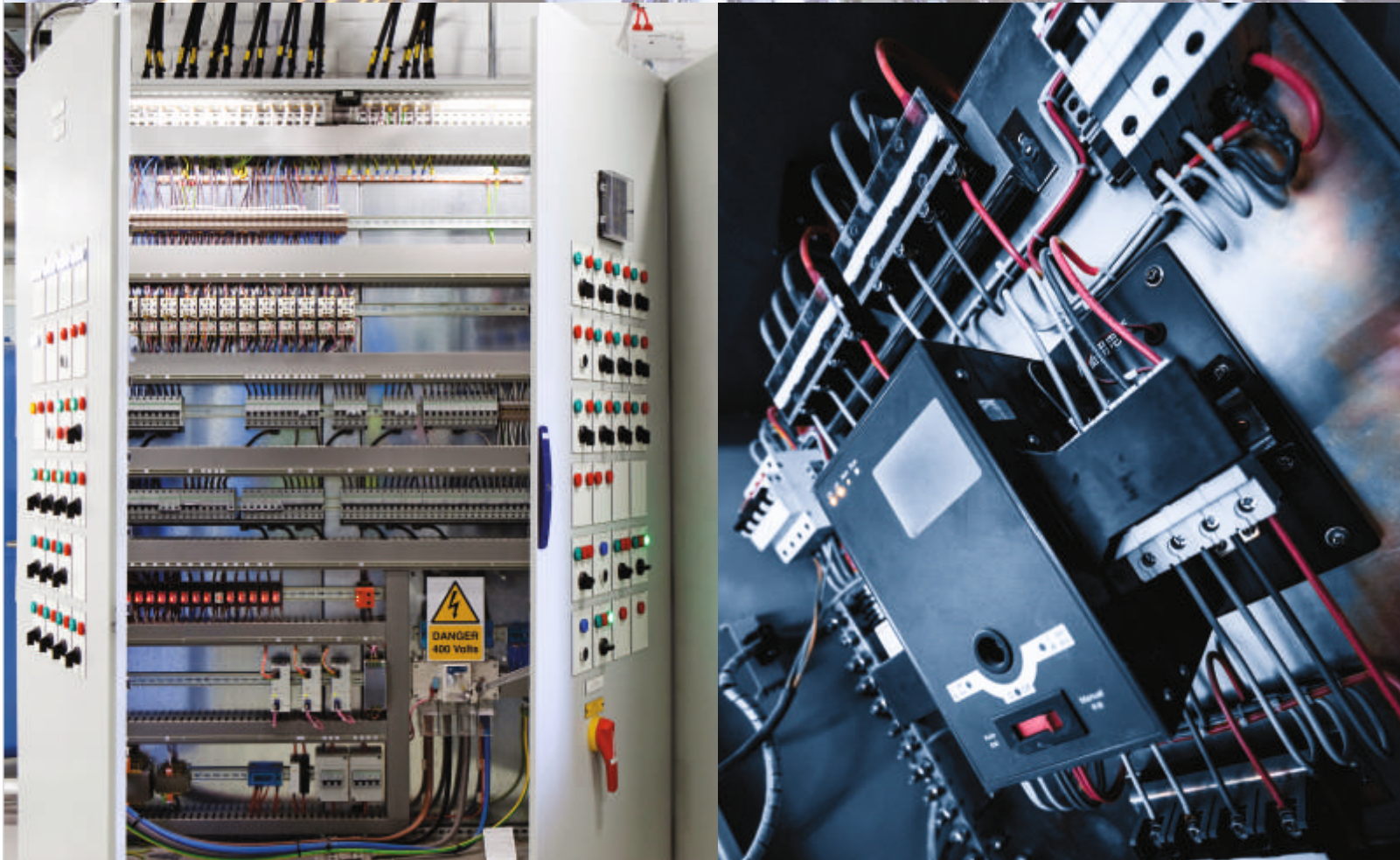


# Lx2000 AC Drive

› The new level of **reliability**

The Lx2000 is designed specifically to add power to elevator performance. Built to L&T's stringent quality standards, the Lx2000 is tested and certified to meet global benchmarks, thus giving you the assurance of total reliability.

It handles loads up to 45 kW, and is engineered to keep your elevator operating at optimum efficiency, even in the hot, humid and dusty conditions that characterise India's industrial environment.



## ➤ Meeting your needs, solving your problems

We believe in addressing your needs and not just selling a product. That's why a dedicated Solutions Team first focuses on understanding your application. Then helps you select the drive that best meets your needs. Our advice on installation, maintenance and replacement will ensure that your elevators function at peak productivity. From engineer to repair technician, our people have the knowledge and skill-sets to deliver total peace of mind.

## ➤ Backed by engineering knowledge across seven decades

A knowledge-based company, L&T brings you the benefits of over 75 years of engineering experience and expertise, and the richness of its collaborations with technology leaders across the globe.

For 50 years, L&T's low-tension switchgear – India's widest range – has been the preferred option of top industrial houses countrywide.





➤ **Tested. Certified. Reliable.**

L&T is one of the few switchgear manufacturers in India with a dedicated, NABL-certified testing facility. Our products are tested for conformity to standards that exceed minimum requirements, giving you the assurance of high-quality performance. Our focus on continuous improvement ensures that our standards are on par with the best in the world. Repeat orders endorse the value that we deliver.

## Ready Spares

### ➤ **After-sales service** aimed at maximum uptime

A malfunction of the drive can bring an entire assembly line or process to a halt. To ensure maximum uptime for you, our Rapid Response service team is available to analyze the situation and help you set the problem right. We have set up strategic service centres across the country to provide temporary replacement drives or ready spares to ensure that your business keeps running smoothly.

### Rapid Response Service Team



### ➤ **Training your people** to enhance your operations

At our countrywide Switchgear Training Centres, we can train your operators, electricians and supervisors to increase their effectiveness in the operation and maintenance and trouble-shooting of your drives. We can also conduct in-plant training and workshops at your premises to improve both power management and equipment maintenance skills. This gives you total operational excellence, minimising downtime.

L&T's engineers and channel partners also upgrade their skills through seminars, workshops, training sessions and white papers on electrical practices.

## Features that ensure performance

- Suitable for geared / gearless machines
- Compatibility with various types of encoders
- Anti-roll-back algorithm
- Load and direction based floor-leveling
- Built-in ARD function



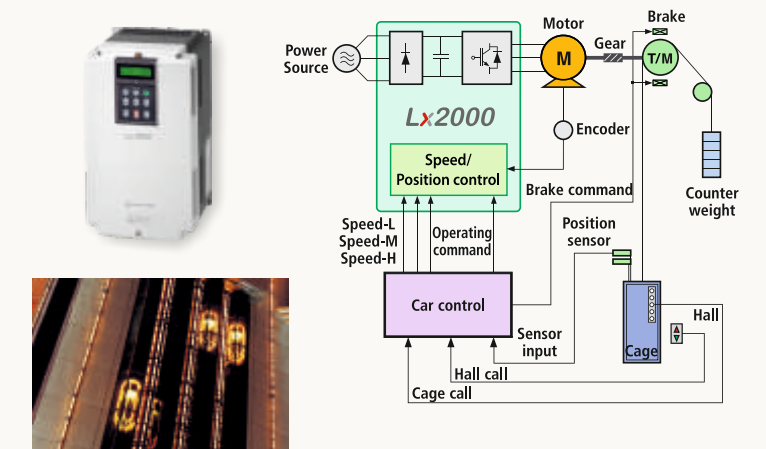
## Lx2000

Provides Dedicated Solutions for Elevator Systems

Controls the elevator system smoothly and efficiently

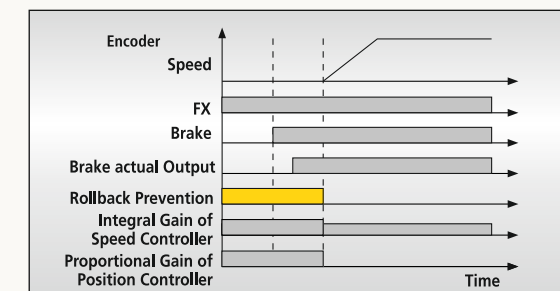


Lx2000 guarantees stable driving and monitoring of the elevator with both optimum speed pattern and position control.

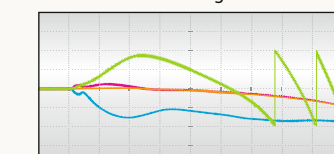


**Rollback Prevention:**  
Anti-Rollback Function  
(without external load cell)

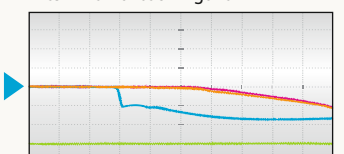
Time Chart for Anti-Rollback Function



Before Anti-Rollback Algorithm



After Anti-Rollback Algorithm



Green : Posion Error between Command & Actual Spd.



Lx2000



## ➤ Precise Control

- Precise speed control
- Accurate control with SIN/COS encoder
- PM Sensorless control
- Stationary Auto tuning (at standstill)
- Brake Control

Elevator Drive  
Lx2000

Features

## ➤ Auto-tuning

### Standstill auto-tuning

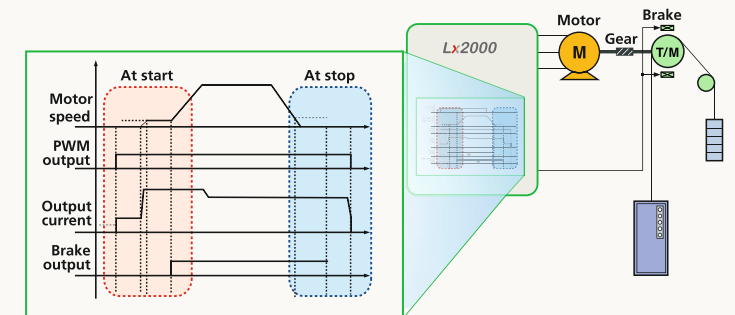
L&T's unique technology allows auto-tuning to be performed even with the motor shaft directly connected to the load. Standstill auto-tuning is useful for elevators because it does not require removal of the brake coupling connected to the motor.

### Rotational auto-tuning

Widely used for vector-control drives, this requires the motor shaft to be free from the coupling for proper operation.

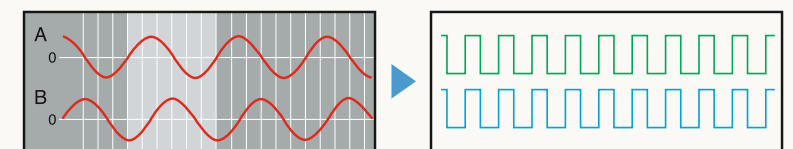
## ➤ Built-in brake control for safe vertical loading

To minimize risk of the elevator's giving in to the gravitational pull of the earth, brake-control is built in.



## ➤ Extreme precise control

The SIN/COS encoder option enables more precise control over a normal encoder.

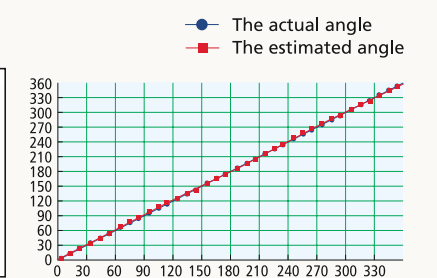
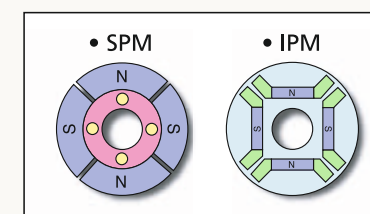


## ➤ SPM, IPM motor control

### SIN/COS encoder option

With synchronous motor sensorless control functions including initial stimulus position estimation, the Lx2000 perfectly controls the SPM and IPM motor - without an additional sensor.

- SPM, IPM motor
- Within  $\pm 5^\circ$  error estimation
- 30,000 rpm driving fast response within 100msec



## ➤ User-Friendly Interface

Easy-to-use with user-centric keypad and removable terminal blocks

Supports communication devices such as Modbus-RTU, CC-Link

Systematic and efficient system management through DriveConnet 2.0



## ➤ User-Friendly Design



### Easy-to-use keypad

By adopting a user-centered operation keypad, parameter setting becomes easier. When applying to the system, the varied information required can be monitored.



### International standard removable terminal block

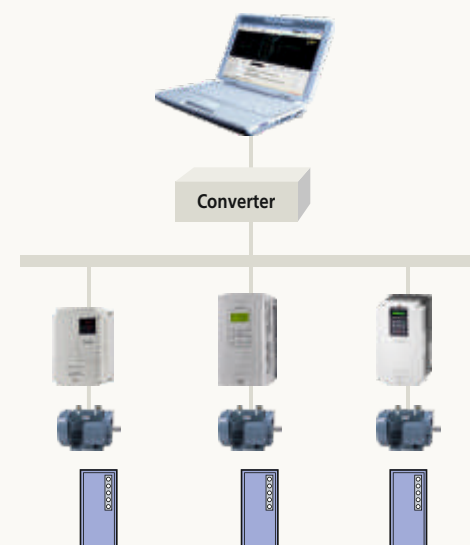
Wiring and maintenance is made easy by an international standard acquired terminal block.

## ➤ Easy-to-maintain drive/motor parameter via PC

### PC-based Software for Easy Maintenance of Drive and Motor Parameters

DriveConnet software allows drive/system monitoring on a PC and easy maintenance of drive and motor parameters

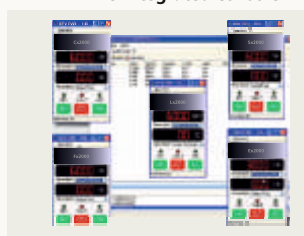
- Windows-based graphic user interface (GUI)
- Modbus-RTU
- Connecting up to 31 drives
- Integrated control console
- Offline editing function
- Data upload/download
- 4-channel oscilloscope
- Trigger function



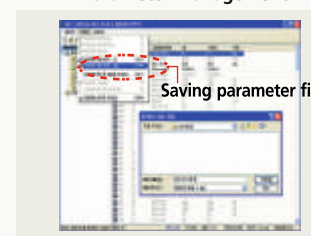
### ■ DriveConnet



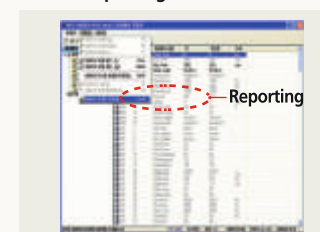
### ■ Drive integrated console



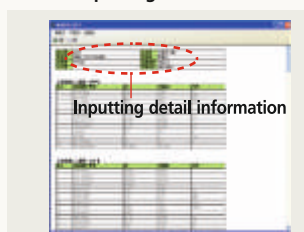
### ■ Parameter management



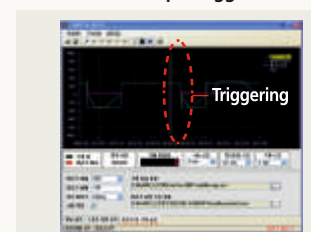
### ■ Reporting 1



### ■ Reporting 2



### ■ Oscilloscope/Trigger

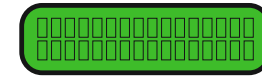




Motor rating (Heavy Duty)	Three-Phase 230V	Three-Phase 415V
2.2kW	LTVF-L20012AAA	LTVF-L40006AAA
3.7kW	LTVF-L20016AAA	LTVF-L40008AAA
5.5kW	LTVF-L20024AAA	LTVF-L40012AAA
7.5kW	LTVF-L20032AAA	LTVF-L40016AAA
11kW	LTVF-L20046AAA	LTVF-L40024AAA
15kW	LTVF-L20059AAA	LTVF-L40030AAA
18.5kW	LTVF-L20074AAA	LTVF-L40039AAA
22kW	LTVF-L20088AAA	LTVF-L40045AAA
30kW	LTVF-L20122AAA	LTVF-L40061AAA
37kW	LTVF-L20146AAA	LTVF-L40075AAA
45kW	-	LTVF-L40091AAA

LTVF	L	4	0012	A	A	A
L&T Variable Frequency Drive	Series Lx2000	Input Voltage 2 Three-Phase 200~240[V] 4 Three-Phase 380~480[V]	Drive Current Rating Heavy Duty Amp	Enclosure A IP00	Reserved	Reserved



• Data and status display



• Shift between function groups  
• Shifting from group code to the upper code



• Function code shift  
• Shift to next function code  
• Data increase in set up mode



• Reverse run command key  
• Only available, with loader operation  
• LED is turned ON with reverse run  
• Blinks during Acc/Deceleration of reverse run



• Shift to function code  
• Shift to previous code  
• Data is decreased in set up mode



• Data set up start



• Data set up completion



• Decimal point shift  
• Only available in case of data setup



• Forward run command key  
• Only available with loader operation  
• LED is turned on with forward operation  
• Blinks during Acc/Deceleration of forward operation



• Stop command  
• Available with the loader operation  
• LED is turned on when drive stops its operation  
• Blinks when fault occurs  
• Reset  
• Fault reset

### Digital Operator Instructions

Classification	Display	Function Name	Function
KEY	MODE	Mode Key	Shift between groups. Shift from a group code to upper code.
	PROG	Program Key	Parameter setting value change.
	ENT	Enter Key	Saving altered setting values.
	▲ (up)	Up Key	Shift between codes and increase the parameter value.
	▼ (down)	Down Key	Shift between codes and decrease the parameter value.
	Shift/ESC	Shift/ESC Key	In case of set-up mode, it is operated with the shift key. Operation with ESC key in non-set up mode.
LED	REV	Reverse run	Reverse run key.
	STOP/RESET	Stop/Reset Key	Stop key when drive is on operation.
	FWD	Forward Key	Forward run key.
LED	(REV)	Reverse run key	Turns on at reverse operation. Blinks while the drive is on Acc/Deceleration and then turns on the constant speed operation.
	(STOP/RESET)	Stop/Fault display	Turns off when drive stops operation. Blinks when fault occurs.
	(FWD)	Forward Run Display	Turns on during forward operation. Acc/Deceleration running modes blink the lamp and it is turned on in the forward operation.

➤ Input and Output Specification: Input Voltage Three-Phase 230V

LTVF-L2 □□□□ AAA		0012	0016	0024	0032	0046	0059	0074	0088	0122	0146
Maximum applicable motor ranges <sup>1)</sup>	HP	3	5	7.5	10	15	20	25	30	40	50
	kW	2.2	3.7	5.5	7.5	11	15	18.5	22	30	37
Rated output	Capacity [kVA]	4.5	6.1	9.1	12.2	17.5	22.5	28.2	33.1	46	55
	Rated current [A]	12	16	24	32	46	59	74	88	122	146
	Output speed	0 ~ 3600 (rpm)									
	Output voltage	0 ~ 200V(230V) <sup>2)</sup>									
Rated input	Voltage	3Ø 200 ~ 230V (-10% ~ +10%)									
	Frequency	50 ~ 60Hz (±5%)									

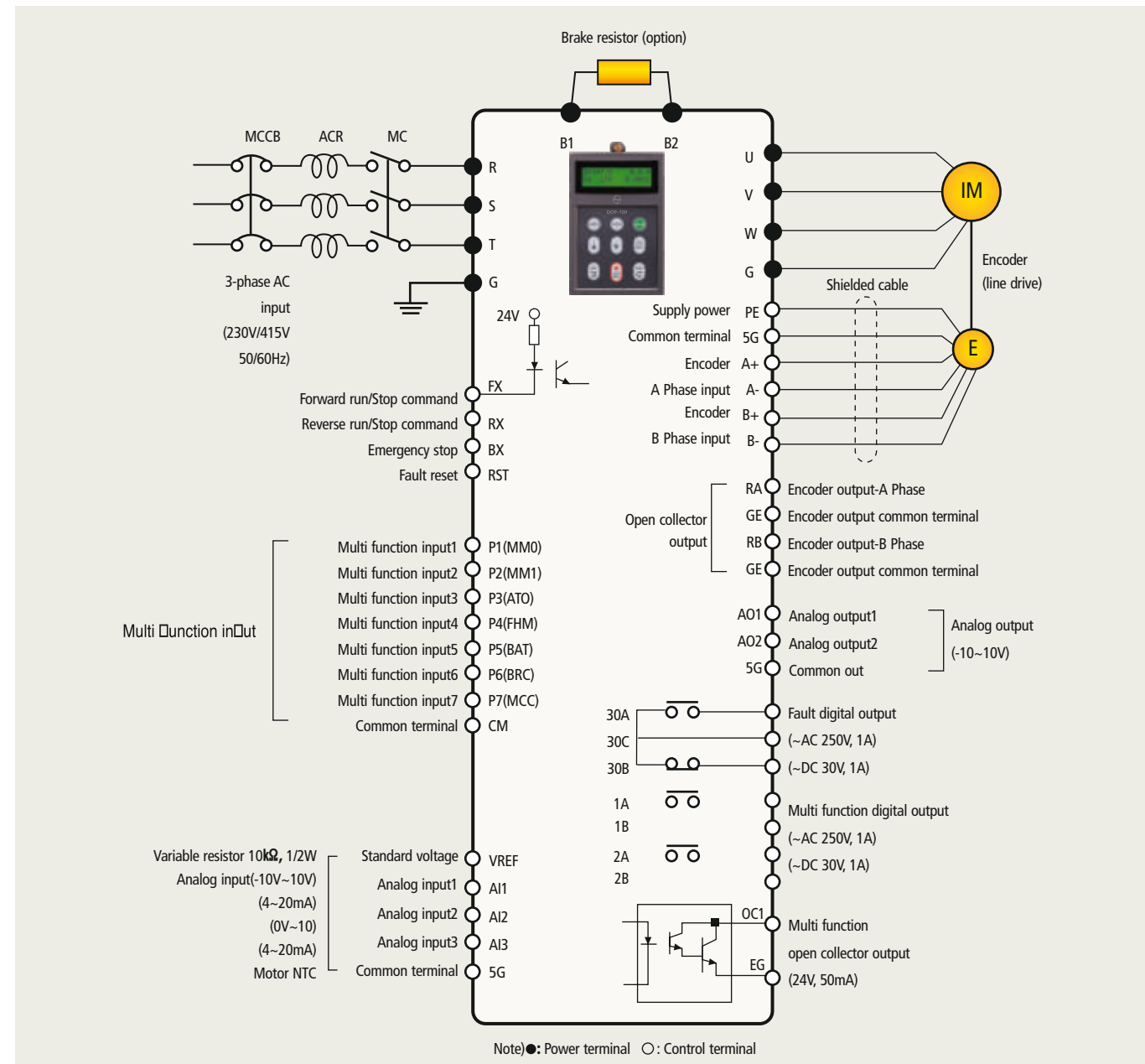
➤ Input and Output Specification: Input Voltage Three-Phase 415V

LTVF-L4 □□□□ AAA		0006	0008	0012	0016	0024	0030	0039	0045	0061	0075	0091
Maximum applicable motor ranges <sup>1)</sup>	HP	3	5	7.5	10	15	20	25	30	40	50	60
	kW	2.2	3.7	5.5	7.5	11	15	18.5	22	30	37	45
Rated output	Capacity [kVA]	4.5	6.1	9.1	12.2	18.3	22.9	29.7	34.3	46	57	70
	Rated current [A]	6	8	12	16	24	30	39	45	61	75	91
	Output speed	0 ~ 3600 (rpm)										
	Output voltage	0 ~ 380V (480V) <sup>2)</sup>										
Rated input	Voltage	3Ø 380 ~ 480V (-10% ~ +10%)										
	Frequency	50 ~ 60Hz (±5%)										

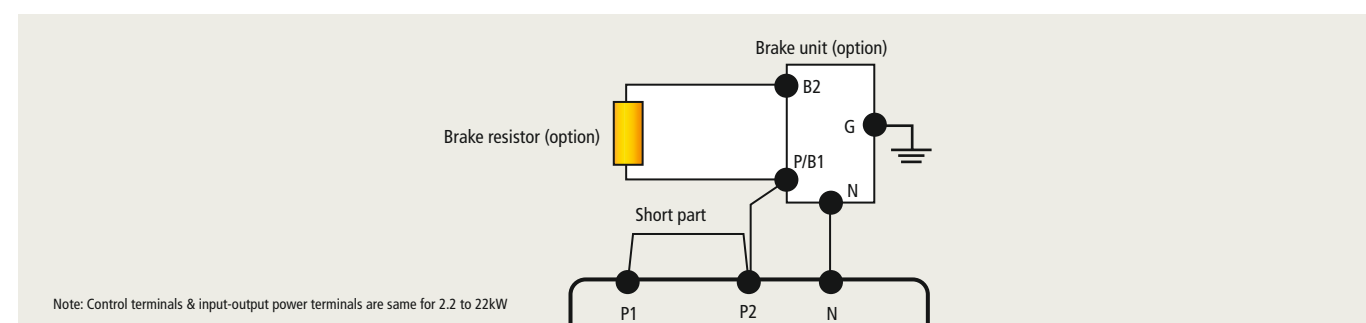
1) - Indicates the maximum applicable motor capacity when using a 4-pole standard motor.  
2) - The maximum output voltage cannot be higher than the input voltage and it can be programmable below input voltage.

Item	Specification	
Circuit type	IGBT adopted voltage type drive	
Control	<b>Control type</b> <b>Frequency / Speed</b> <b>Control accuracy</b> <b>Frequency / Speed</b> <b>Resolution</b>	Vector control Analog: ± 0.2% of maximum command speed (25±10°C) Digital: ±0.01% of maximum command speed (0~40°C) Analog: ±0.05% of maximum command speed Digital: 0.01% of maximum command speed
	<b>Vector</b>  <b>Speed</b> <b>ACC/DEC</b>	<b>Response speed</b> <b>Torque control</b> <b>Torque Boost</b> <b>Time setup</b> <b>Combination</b> <b>Pattern</b>
Braking	<b>Braking type</b> <b>Braking torque</b> <b>Braking resistor</b>	Dynamic braking using external resistor 150% An external braking resistor is required
Input	Speed setting	Digital setting Multi-step-speed setup by digital input Analog input setting of -10~10V or 4~20mA Setting by options 3-Channels (AI1, AI2, AI3)
	Analog input	-10 ~ 10V, 4 ~ 20mA, 10 ~ 0V, 20 ~ 4mA, motor NTC (selectable) Selectable among 9 different multi-function analog inputs FX, RX, BX, RST, P1 ~ P7
	Digital input	Multi-function input terminal (P1~P7) can be selected among various functions.
Output	Analog output	2-Channel (AO1, AO2) -10 ~ 10V output Selective among 31 multi-function analog output functions
	Digital output	Multi function digital output: 2 channels (1A-1B, 2A-2B) Fault digital output: 1 channel (30A-30C, 30B-30C)
	Open collector output	1 channel (OCI/EG)
Protection function	Over-current, over/low voltage, drive overheat, drive thermal sensor open, motor over-heat, motor thermal sensor open, over speed, IGBT gate blocking (BX), fuse open, trip by unusual external signal, encoder error, communication error, electronic thermal, stall prevention (V/F), over load(V/F), drive over load.	
Environment	Installation environment	Indoor, free of corrosive gas and direct sunlight
	Ambient temperature	-10 ~ 40°C (Non-frozen condition)
	Ambient humidity	Below RH 90% (Dew-free)
	Cooling method	Forced cooling by FAN
	Altitude / Vibration	Below 1000 meters / above sea level 5.9 m/s <sup>2</sup> (≈0.6G)

2.2~22kW (230/415V)



30~37kW (230V) & 30~45kW (415V)



Power Terminal

Display	Name	Description
R, S, T	AC Input	3Phase AC input connection 1) 230V: 200~230V, 50/60Hz 2) 415V: 300~460V, 50/60Hz
U, V, W	Output	Cable connection of 3 phase induction motor
G	Earth	Drive frame earth terminal
B1, B2	Braking resistor	Braking resistor connection
P1, P2	DC reactor and Braking unit	DC reactor, braking unit and DC link common connection terminal
P	DC Link(+) terminal	DC Link common connection terminal
N	DC Link(-) terminal	Braking unit and DC link common terminal

Control Circuit Terminals

Item	Display	Name	Description
Digital input	FX	Forward run command	• ON when tied to CM terminal
	RX	Reverse run command	• Stops when FX and RX are ON/OFF simultaneously
	RST	Fault reset	• Clears the fault condition only when the fault state is removed
	P1(MMO)		• Selectable among the following functions: (Multi step speed selection 1/2/3, JOG run, MOP up/down/Save/Clear, analog hold, main drive, speed acc/dec time selection, 3-wire operation, external default signal B contact point, timer input, soft-start cancellation, ASR PI gain selection, ASR P.PI selection, pre-excitation, torque bias
	CM	Common	• ON in case of connection between CM and digital
Analog input	A11	Analog setting power	• Variable resistor use standard voltage (+10V):10 kΩ • Voltage input (-10~10V), current input (4~20mA)
	A12	Voltage input Current input	The motor NTC input is selectable • Selectable among following functions; (Speed reference, Torque bias, Torque limit, Process PI control reference, Motor NTC input)
	A13	Voltage input Motor NTC input	• Jumper set up use AC voltage input A#1, A#2: Open, A#3:Left of switch
	5G	COMMON	• Jumper set to use as voltage input A#1, A#2: Short • With motor NTC input, switch direction setup A#3: Right of switch • Analog input COMMON terminal

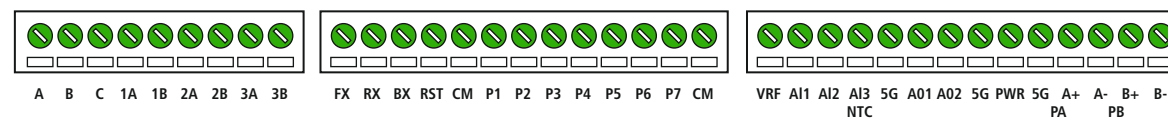
Control Circuit Terminals

Classification	Display	Name	Description
Encoder Input	PE	Encoder power	+5V Line drive power (Jumper set required) 0V
	5G		
	A+	Encoder A phase signal	<ul style="list-style-type: none"> <li>A and B phase signals of line drive encoder</li> <li>To use the line drive type encoder, the 'P5 pin' of I/O PCB JP2 should be shorted and then the JP1 switch should be pulled down to 'LD' direction</li> <li>Jumper set-up (factory default)</li> </ul>
	A-		
	B+	Encoder B phase signal	
	B-		
	PE	Encoder power	+15V Open collector power (Jumper set-up is required) 0V
	5G		
PA	Encoder A phase signal	<ul style="list-style-type: none"> <li>A and B phase signals of complementary and open collector type signals</li> <li>Short the 'P15 pin' of I/O PCB JP2 and then pull up the JP1 switch to 'OC'</li> </ul>	
PB	Encoder B phase signal		
Encoder output	RA	Encoder output-phase A	<ul style="list-style-type: none"> <li>Encoder phase A and B output signal (Open collector type)</li> </ul>
	GE	Encoder output common terminal	
	RB	Encoder output-phase B	
	GE	Encoder output common terminal	
Analog Output	A01	Analog output1	<ul style="list-style-type: none"> <li>Output -10V~+10V</li> <li>Select from among the following 31 items: (motor speed, speed reference1~2, Torque reference1~2, Torque current volume flux reference, flux reference volume, drive output current, drive output voltage, Motor temperature, DC voltage)</li> <li>COMMON terminal for analog output</li> </ul>
	A02	Analog output2	
	5G	COMMON	
Digital Output	1A	Multi-function digital output1 (contact point A)	<ul style="list-style-type: none"> <li>Select from among the following 14 items: (zero speed detection, speed detection (polarity valid), speed detection (rotation direction invalid), speed reach, speed matching, arbitrary torque detection torque limit feature, motor overheating signal, drive overheating signal, low voltage feature, drive run signal, drive regeneration signal, drive run function, timer output)</li> </ul>
	1B		
	2A		
	2B		
	OC1	Multi-function open collector output	<ul style="list-style-type: none"> <li>Activates when the faults occur</li> <li>Not available in emergency stop</li> <li>Common for A and B digital output</li> </ul>
	EG		
	30A	Fault signal A contact point	
30B	Fault signal B contact point		
30C	COMMON		

Control Circuit Terminal

Control Terminal Feature

- Control Terminal Panel Arrangement(Standard Type(SIO) - Non insulated type)

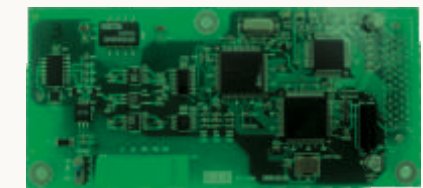


Various Optional Cards

Synchronous option, SIN/COS encoder option, expansion I/O, Elevator dedicated I/O, etc.

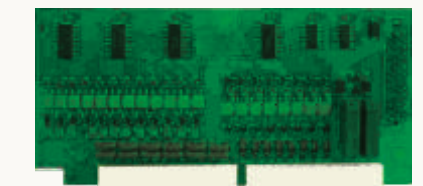
LTCI-CCL-L

- Max. 10 Mbps speed
- Customized LS profile
- CC Link customized cable
- Built-in termination resistor
- Remote I/O : each 32 point
- Remote register : 4 words

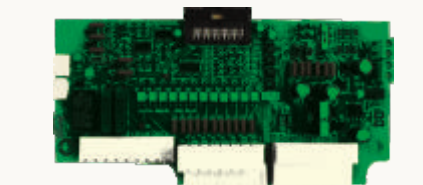


LTEL-EIO-L

- Position sensor/safety switch input
- Car position output
- E/L position and sequence control
- MC/Brake operation signal output
- E/L exclusive connector



SIN/COS ENCODER (LTEN-SCE-L)



LTEN-EDT-L

- Selectable Endat & Sin/Cos Option
- Max. 3,600rpm speed
- Enhanced Comfortable feeling in Car
  - Compatibility with Heidenhain Encoder - ECN413, ECN1313, ERN487, ERN1387



### Braking resistor specifications

Resistance values in the table shown below are calculated based on the 150% braking torque, 10%ED\* standard.

Input Voltage	Drive Cat. No.	Capacity (10%ED)	
		[Ω]	[W]
Three-Phase 230V	LTVF-L20012AAA	50	800
	LTVF-L20016AAA	33	1200
	LTVF-L20024AAA	20	1600
	LTVF-L20032AAA	15	2400
	LTVF-L20046AAA	10	4800
	LTVF-L20059AAA	8	4800
	LTVF-L20074AAA	5	7200
	LTVF-L20088AAA	5	7200
Three-Phase 415V	LTVF-L40006AAA	200	800
	LTVF-L40008AAA	130	1200
	LTVF-L40012AAA	85	1600
	LTVF-L40016AAA	60	2400
	LTVF-L40024AAA	40	4800
	LTVF-L40030AAA	30	4800
	LTVF-L40039AAA	20	7200
	LTVF-L40045AAA	20	7200

\* % ED is based on 100sec.

### Brake resistor wiring

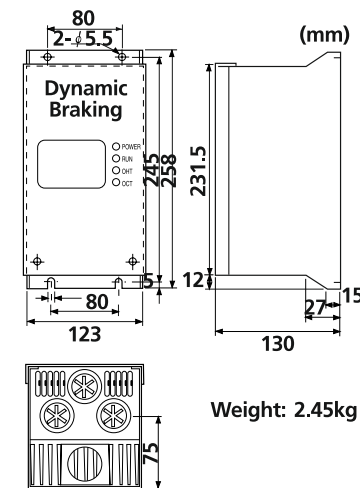
For brake resistor with a temperature detection sensor for fire protection, refer below when in use.

Brake resistor terminal blocks	Drive terminals	Operation
B1, B2	P, BR	
P7, CM	One of the multi-function input terminals, out of P1~P7, of control terminals board is used as defining 'External trip signal contact B'	The contact is ON in normal temperature and opens in overheat.

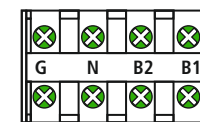
### Braking Unit LED Functions

Displayed Item	Description
POWER	Main power in braking unit turns on the POWER LED. Generally the braking unit is wired to the drive, so once the input main power of drive is on, the POWER LED of braking unit turns on.
RUN	While braking unit operates its normal operation by the motor regenerative energy, the RUN LED blinks.
OHT	During the braking operation, if the braking unit heat sink is overheated and exceeds its limited value, the overheat protection function operates. This blocks the braking unit signal and then turns on the OHT LED.
OCT	During the braking operation, if over-current flows in the main circuit of braking unit then the over current protection function is operated in order to prevent the circuit from over current. The TURN ON signal of braking unit is blocked and then turns on the OCT LED.

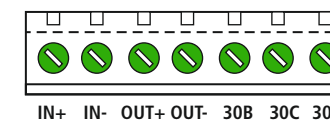
### Terminal Block and Braking Unit



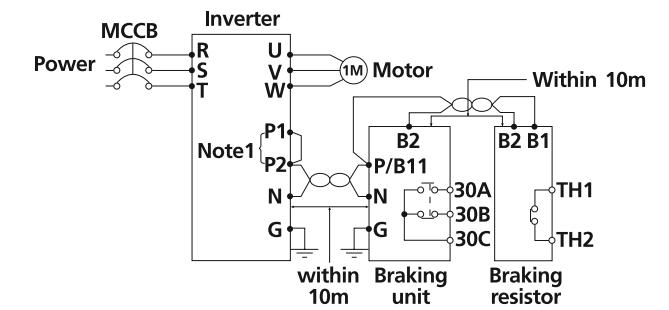
Main circuit terminal block



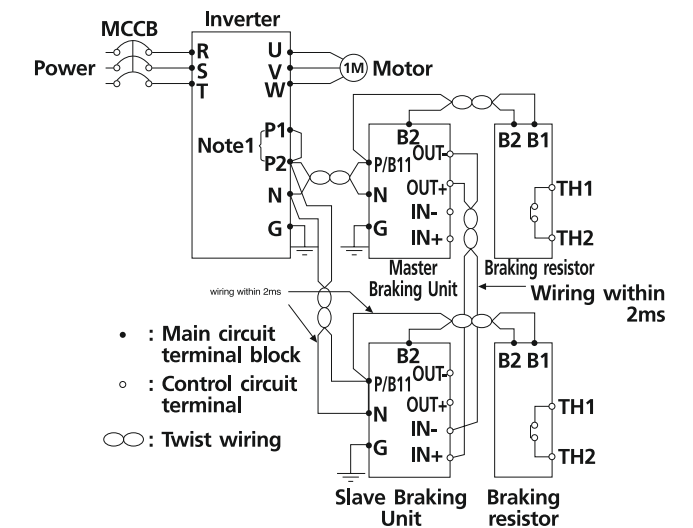
Control circuit terminal



### Terminal Block and Braking Unit

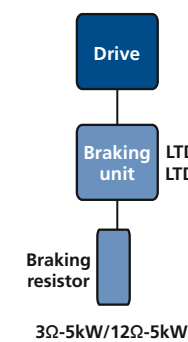


### Double use of Braking Unit

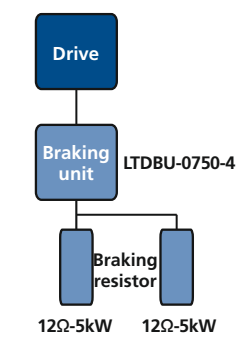


### Combination of Braking Units and Braking Resistors

• 30~37kW (230V/415V)



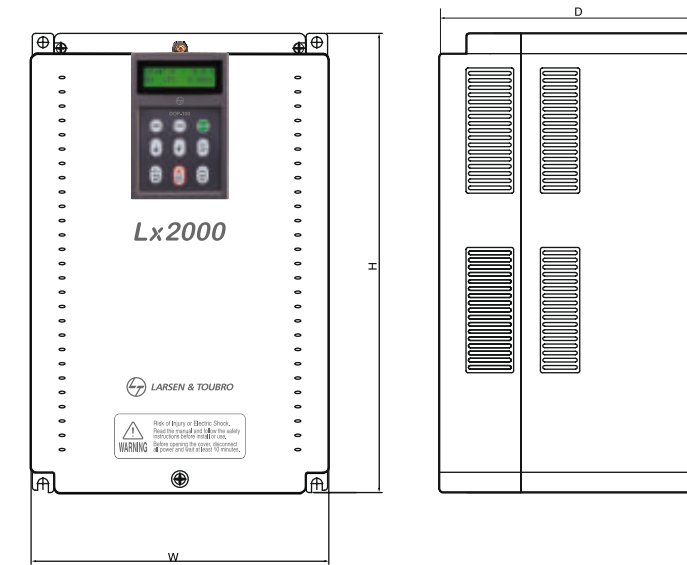
• 45kW (415V)



➤ MCCB (Moulded Case Circuit Breaker) and MC (Magnetic Contactor)

Input Voltage	Motor (kW)	Drive Cat. No.	MCCB (L&T)	MC (L&T)
Three-Phase 230V	2.2	LTVF-L20012AAA	DM100/30	MO 18
	3.7	LTVF-L20016AAA	DM100/30	MO 32
	5.5	LTVF-L20024AAA	DM100/50	MO 50
	7.5	LTVF-L20032AAA	DM100/60	MO 50
	11	LTVF-L20046AAA	DN2-250M/100	MO 70
	15	LTVF-L20059AAA	DN2-250M/125	MO 95
	18.5	LTVF-L20074AAA	DN2-250M/160	MXN 140
	22	LTVF-L20088AAA	DN2-250M/160	MXN 140
	30	LTVF-L20122AAA	DN2-250M/250	MXN 140
	37	LTVF-L20146AAA	DN3-400M/320	MXN 225
Three-Phase 415V	2.2	LTVF-L40006AAA	DM16/16	MO 12
	3.7	LTVF-L40008AAA	DM16/16	MO 18
	5.5	LTVF-L40012AAA	DM100/30	MO 25
	7.5	LTVF-L40016AAA	DM100/30	MO 32
	11	LTVF-L40024AAA	DM100/50	MO 50
	15	LTVF-L40030AAA	DM100/60	MO 50
	18.5	LTVF-L40039AAA	DM100/80	MO 70
	22	LTVF-L40045AAA	DN2-250M/100	MO 70
	30	LTVF-L40061AAA	DN2-250M/125	MO 95
	37	LTVF-L40075AAA	DN2-250M/160	MXN 140
45	LTVF-L40091AAA	DN2-250M/160	MXN 140	

➤ 2.2 ~ 22kW (230V/415V)



Input Voltage	Drive Cat. No.	W (mm)	H (mm)	D (mm)	Weight (kg)
Three-Phase 230V	LTVF-L20012AAA	200	284	207	6
	LTVF-L20016AAA	200	284	207	6
	LTVF-L20024AAA	200	284	207	14
	LTVF-L20032AAA	200	355	202	14
	LTVF-L20046AAA	200	355	202	13.7
	LTVF-L20059AAA	250	385	221	13.7
	LTVF-L20074AAA	250	385	221	20.3
	LTVF-L20088AAA	304	460	254	20.3
Three-Phase 415V	LTVF-L40006AAA	200	284	207	6
	LTVF-L40008AAA	200	284	207	6
	LTVF-L40012AAA	200	355	202	14
	LTVF-L40016AAA	200	355	202	14
	LTVF-L40024AAA	250	385	221	13.7
	LTVF-L40030AAA	250	385	221	13.7
	LTVF-L40039AAA	304	460	254	20.3
	LTVF-L40045AAA	304	460	254	20.3

➤ 30 ~ 37kW (230V/415V)

Input Voltage	Drive Cat. No.	W (mm)	H (mm)	D (mm)	Weight (kg)
Three-Phase 230V	LTVF-L20122AAA	350	680	308.2	42
	LTVF-L20146AAA	350	680	308.2	42
Three-Phase 415V	LTVF-L40061AAA	350	680	308.2	42
	LTVF-L40075AAA	350	680	308.2	42
	LTVF-L40091AAA	375	780	326	63